

Description

The SafeStop™ system provides the ability to safely command an unmanned or autonomous vehicle to pause or stop from a remote location up to 6 miles away. The SafeStop™ is a multi-level wireless emergency stop system, consisting of transmitter and receiver. The compact and lightweight transmitter contains an internal rechargeable battery that enables continuous operation for up to 12 hours. The SafeStop™ transmitter is available in both OEM and handheld models. SafeStop™ also contains an integrated Watchdog Timer. This automatically engages the SafeStop™ if a message hasn't been received within a configurable set amount of time.

Wireless Performance

Operating Distance with Single Transmitter: Up to 6 miles (line of sight)
Update Rate: 20 HZ
Total Number of Combined Transmitters: 10

Wireless Link

Frequency Band: 902-928MHz (other frequencies available)
Transmit Power: 1W
Modulation: FHSS GFSK
FCC Approved: Yes

Transmitter Electrical

SS03TX Battery Life: Up to 12 hours
SS03TX Input Voltage (charging): 12/24 VDC, ±10%
SS03TX Power Consumption (12 VDC): 15W

OEM Transmitter Electrical

SS03OT Input Voltage (V_{IN}): 10-32 VDC
SS03OT Power Consumption (12 VDC): 2.5W

Receiver Electrical

SS03RX Input Voltage (V_{IN}): 10-40 VDC
SS03RX Power Consumption (12 VDC): 8W (typical); max power dependent on output load

Frequency Options with Ranges

400MHz: 340-400MHz
900MHz: 902-928MHz
1.3GHz: 1.33-1.54GHz
2.4GHz: 2.400-2.4835GHz

Weight

SafeStop 03TX: 555g
SafeStop 03RX: 1052g
SafeStop 03OT: 71g
SafeStop 03RX Cables: 203g

Vehicle Interface/Output Ratings

Digital Communications: TCP/IP over Ethernet (serial optionally available)
Emergency Stop Output Rating: 1.5A Continuous (sink or source)
Emergency Override Output Rating: 1.5A Continuous (sink or source)
Emergency Stop Output Minimum Voltage: $V_{IN} - 2.4V$
Emergency Override Output Minimum Voltage: $V_{IN} - 2.4V$

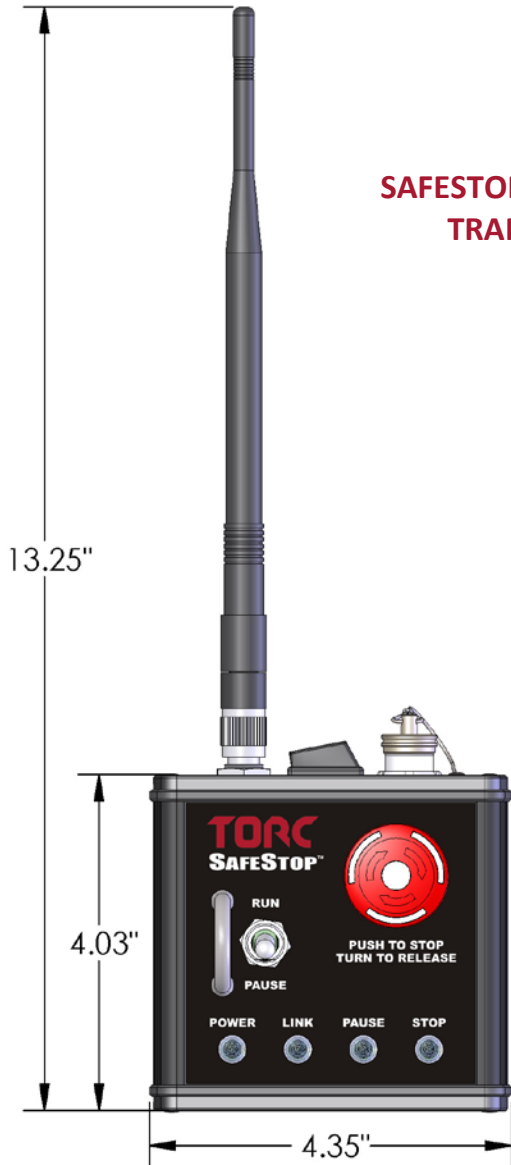
User Interface

User Settings: Web browser configuration interface
Stop Input: Standard mushroom-type stop button
Pause Input: Guarded toggle switch
Bypass Mode: Momentary push-button sequence
Visual Indicators: Bicolor LEDs for Power, Link, Pause, & Stop
Audible Alarm: Tone emitted for link lost & low battery



Environmental

Dust/Water Resistance: Receiver: IP67; Transmitter: IP64
Operational Temperature: -20°C to 70°C
Operational Humidity: 10% to 90%, non-condensing
Operational Shock Rating: 15g



OEM TRANSMITTER AND SAFESTOP™ ACCESSORIES



OEM TRANSMITTER
(SS03-OT04, SS03-OT09, SS03-OT13, or SS03-OT24)



EXTERNAL EMERGENCY STOP
BUTTON
(SS03-A001)



EXTERNAL EMERGENCY
OVERRIDE BUTTON
(SS03-A002)



12V DC CAR CHARGER
(SS03-A003)



EXTERNAL ANTENNA
(ANT0302, ANT0902, ANT1302, or
ANT2402)



STANDARD POWER & SERIAL
INTERFACE CABLE
(SS03-A005)



AC CHARGER
(SS03-ACC)

QUICK START/TYPICAL APPLICATION

